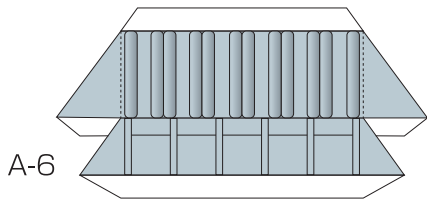
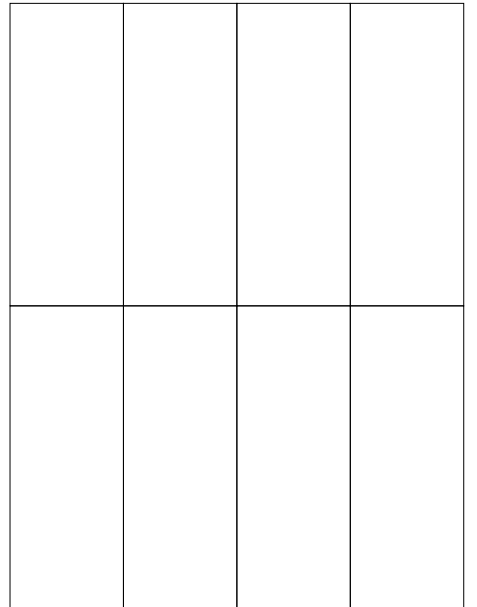
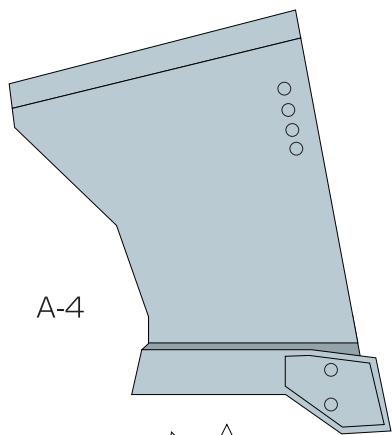


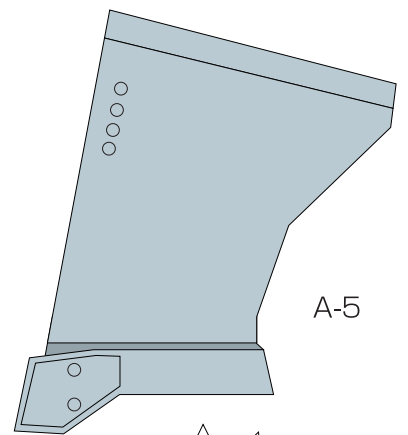
A-11



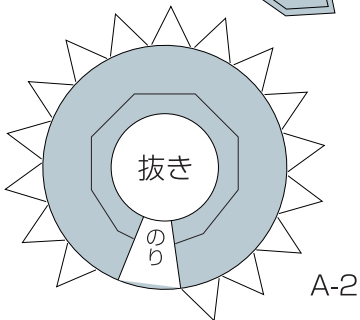
A-6



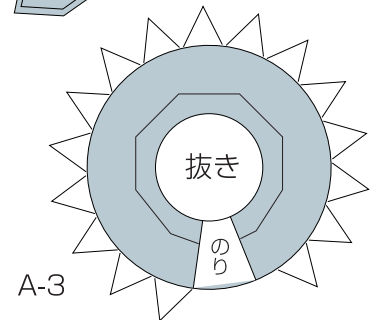
A-4



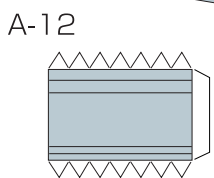
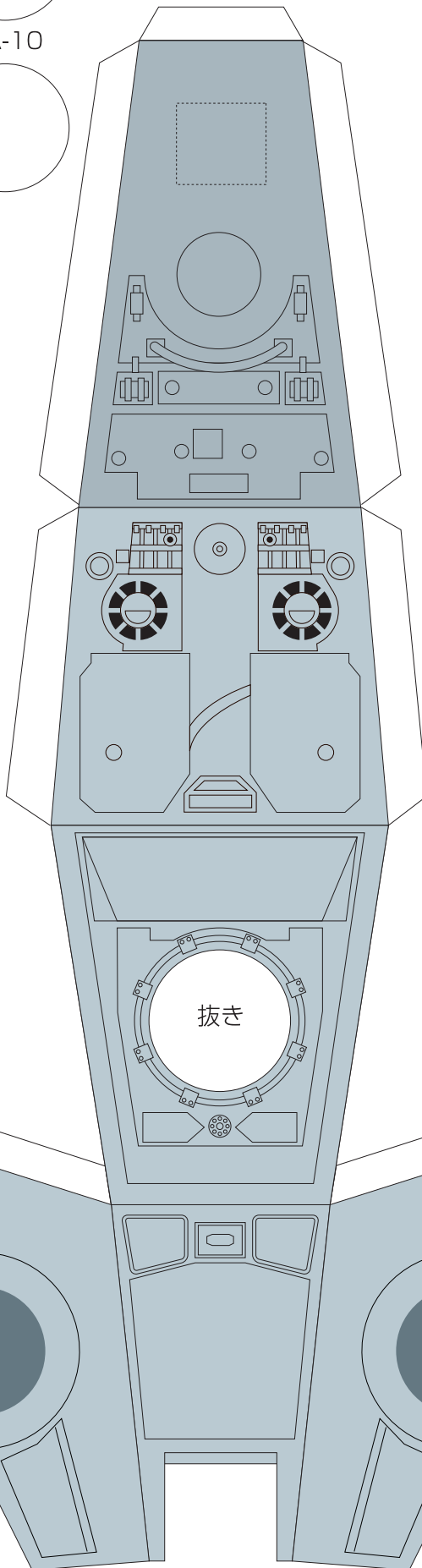
A-5



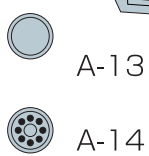
A-2



A-3

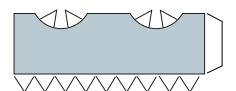


A-12



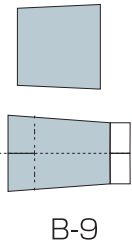
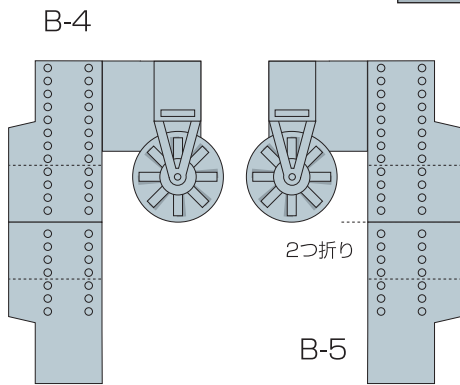
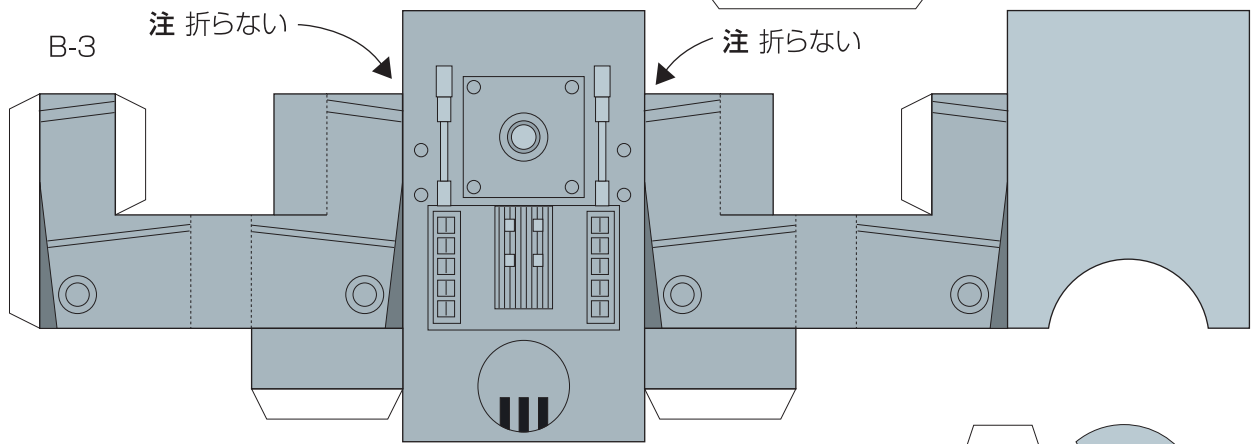
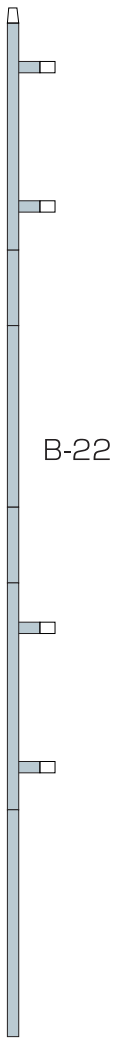
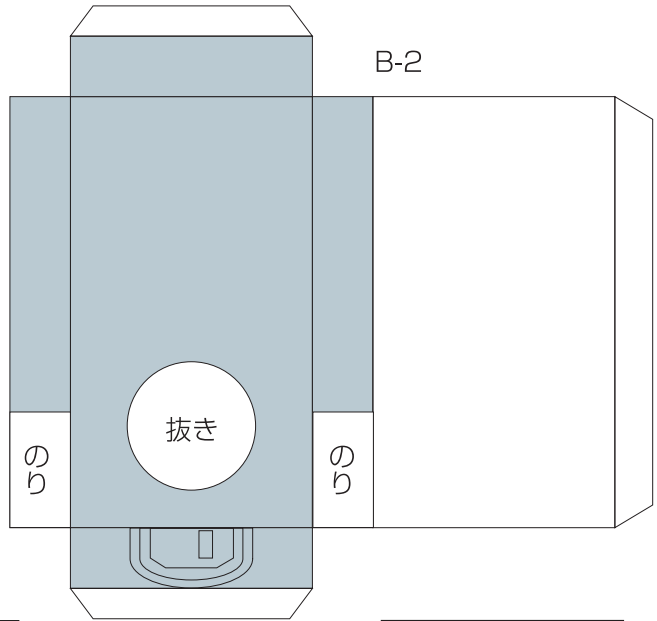
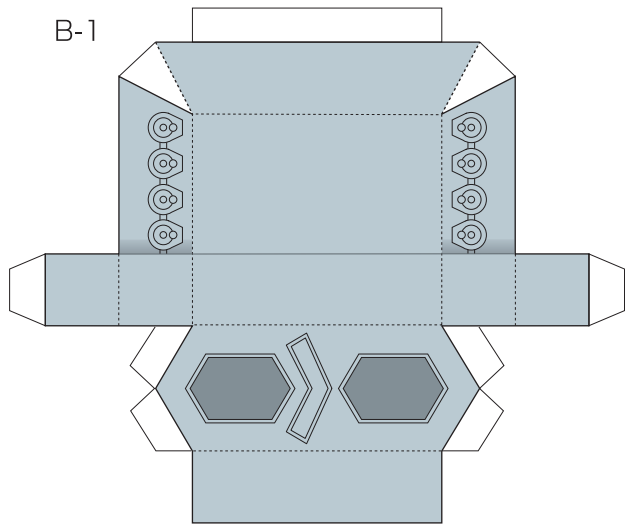
A-13

A-14



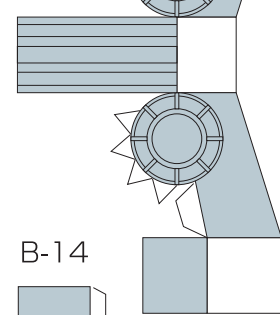
A-1

A-15



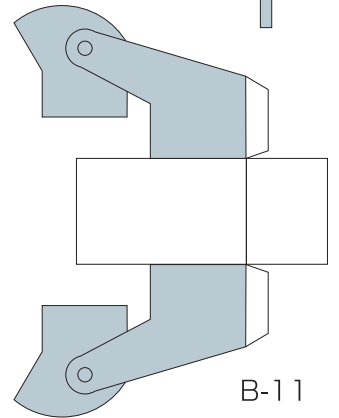
B-8

B-10



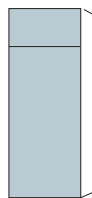
2つ折り

B-9

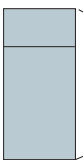


B-11

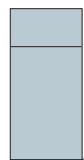
B-12



B-13



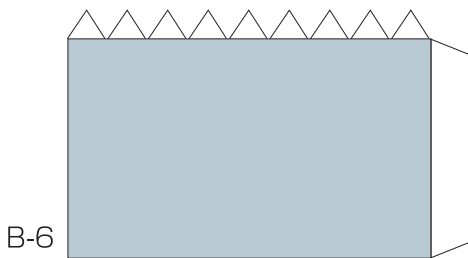
B-14



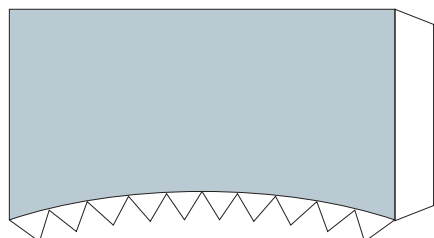
B-18



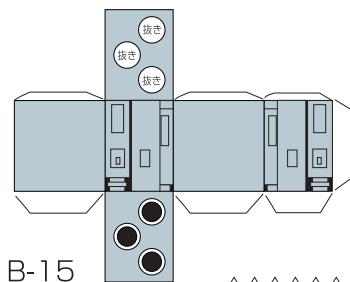
B-19



B-6

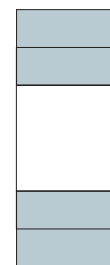
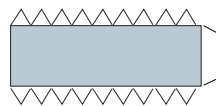


B-7

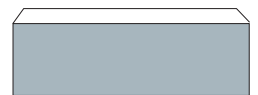


B-15

B-16



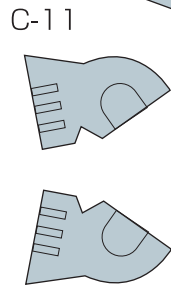
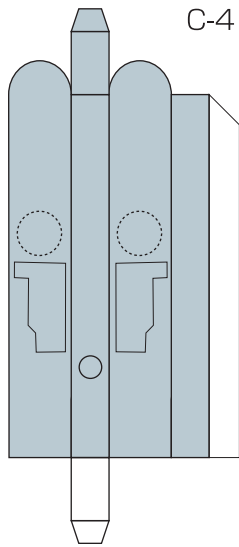
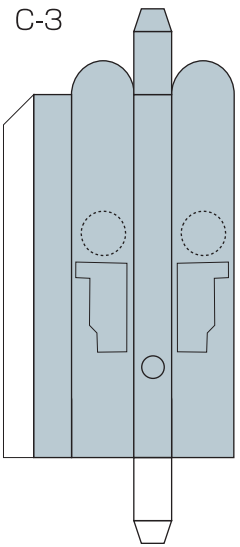
B-17



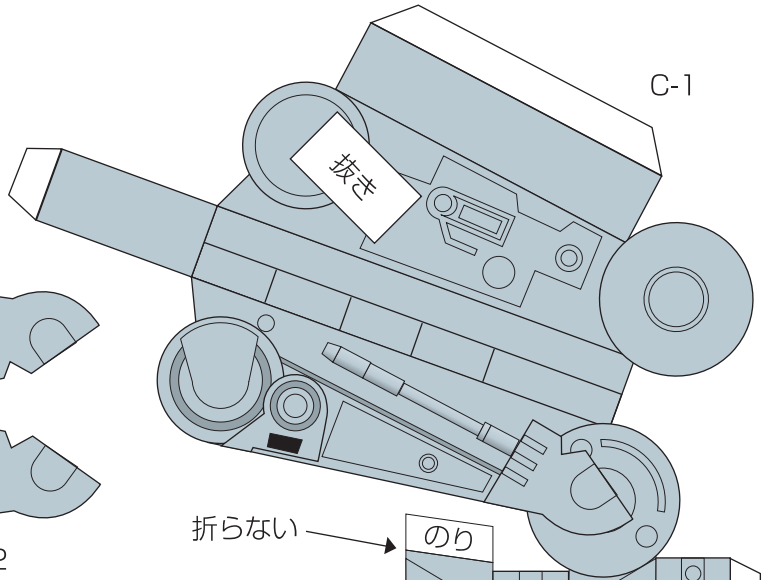
B-20



B-21

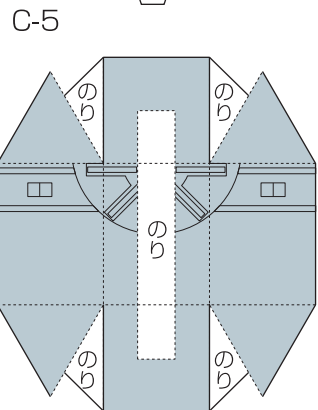


C-12

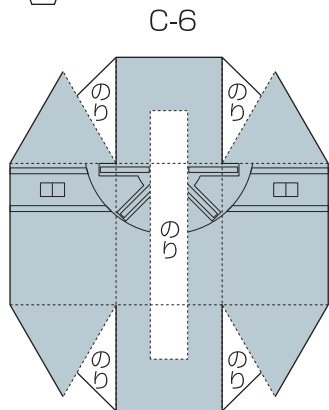


C-1

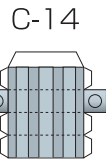
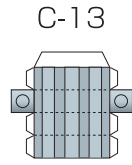
折らない → のり



前



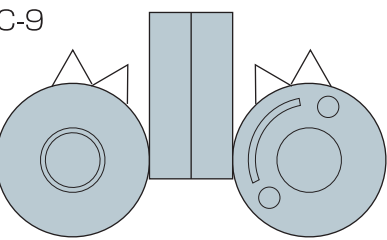
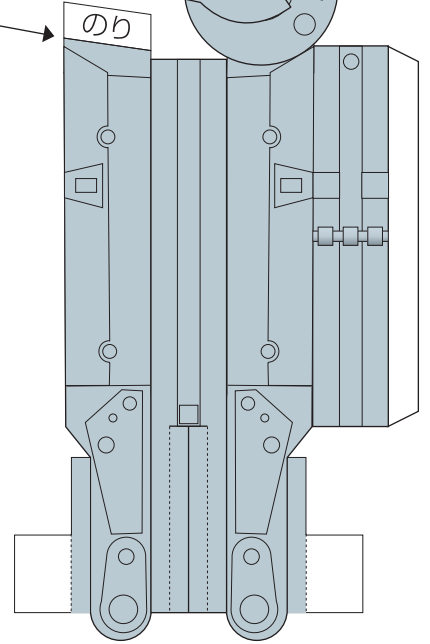
前



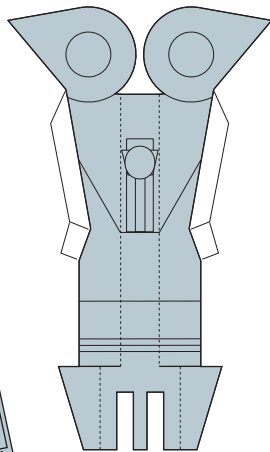
C-14



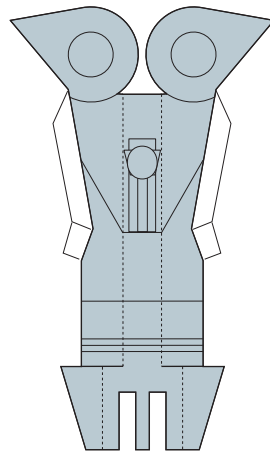
C-16



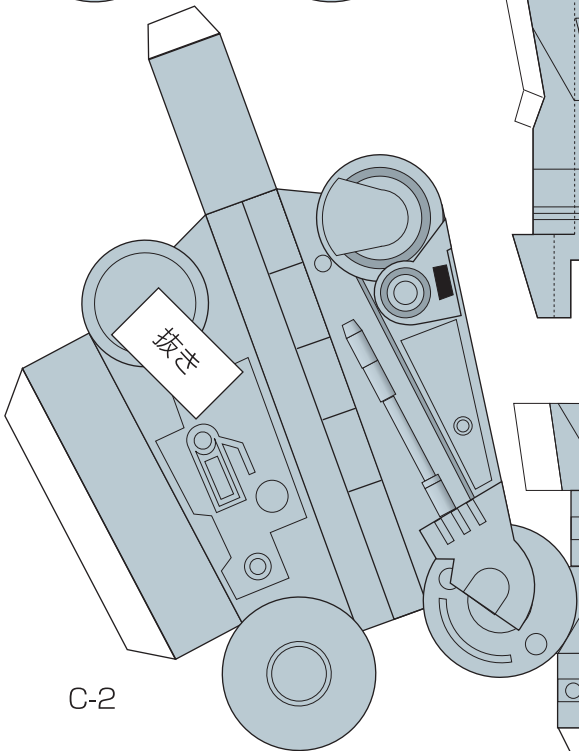
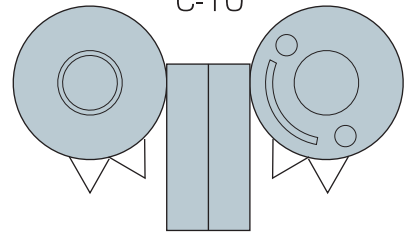
C-7



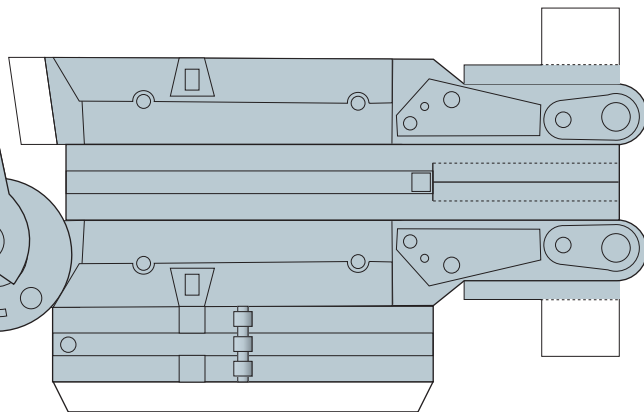
C-8



C-10

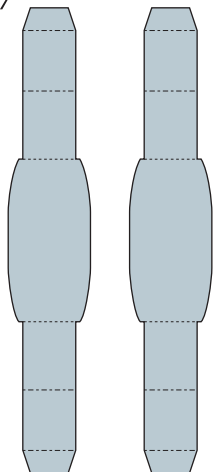


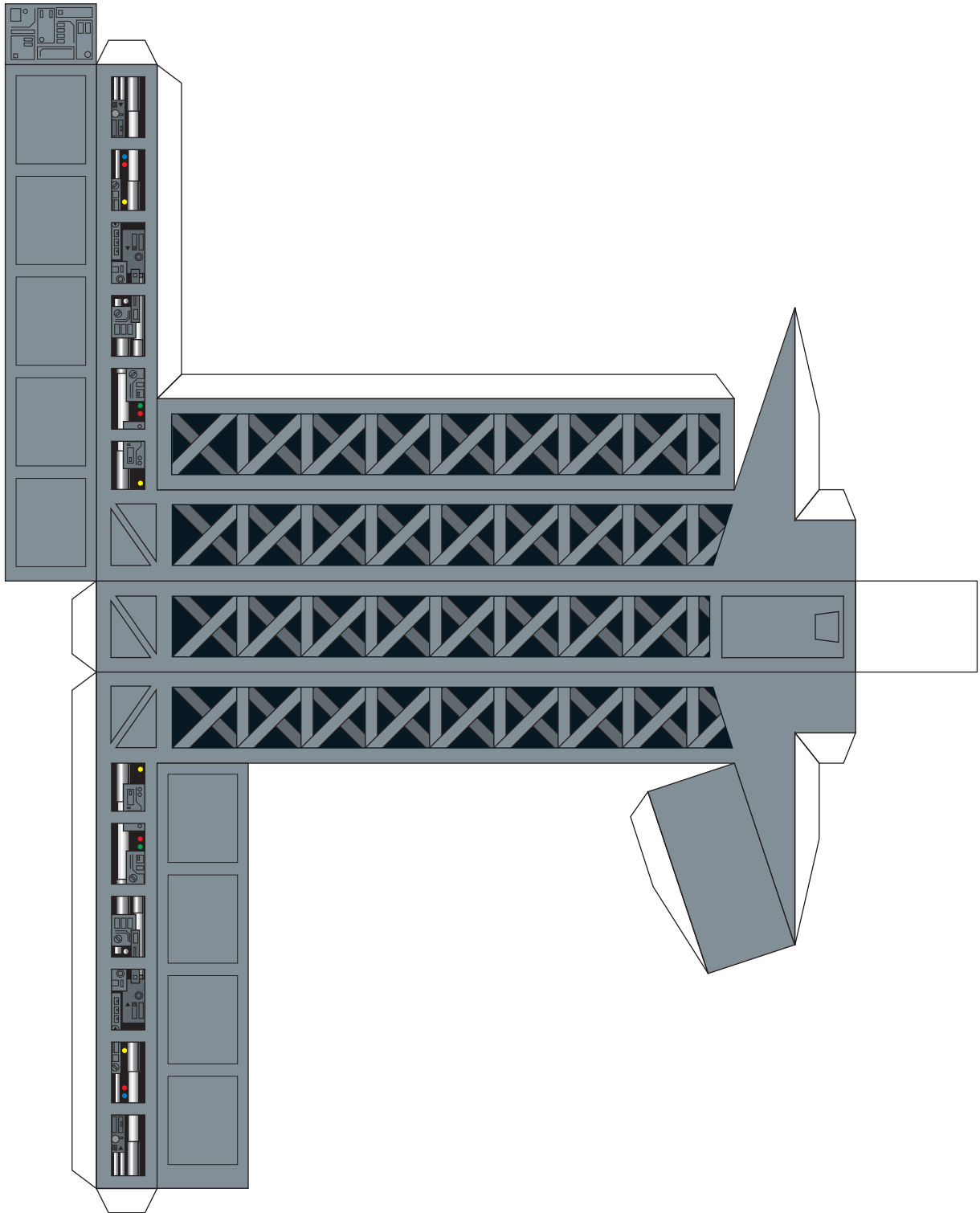
C-2

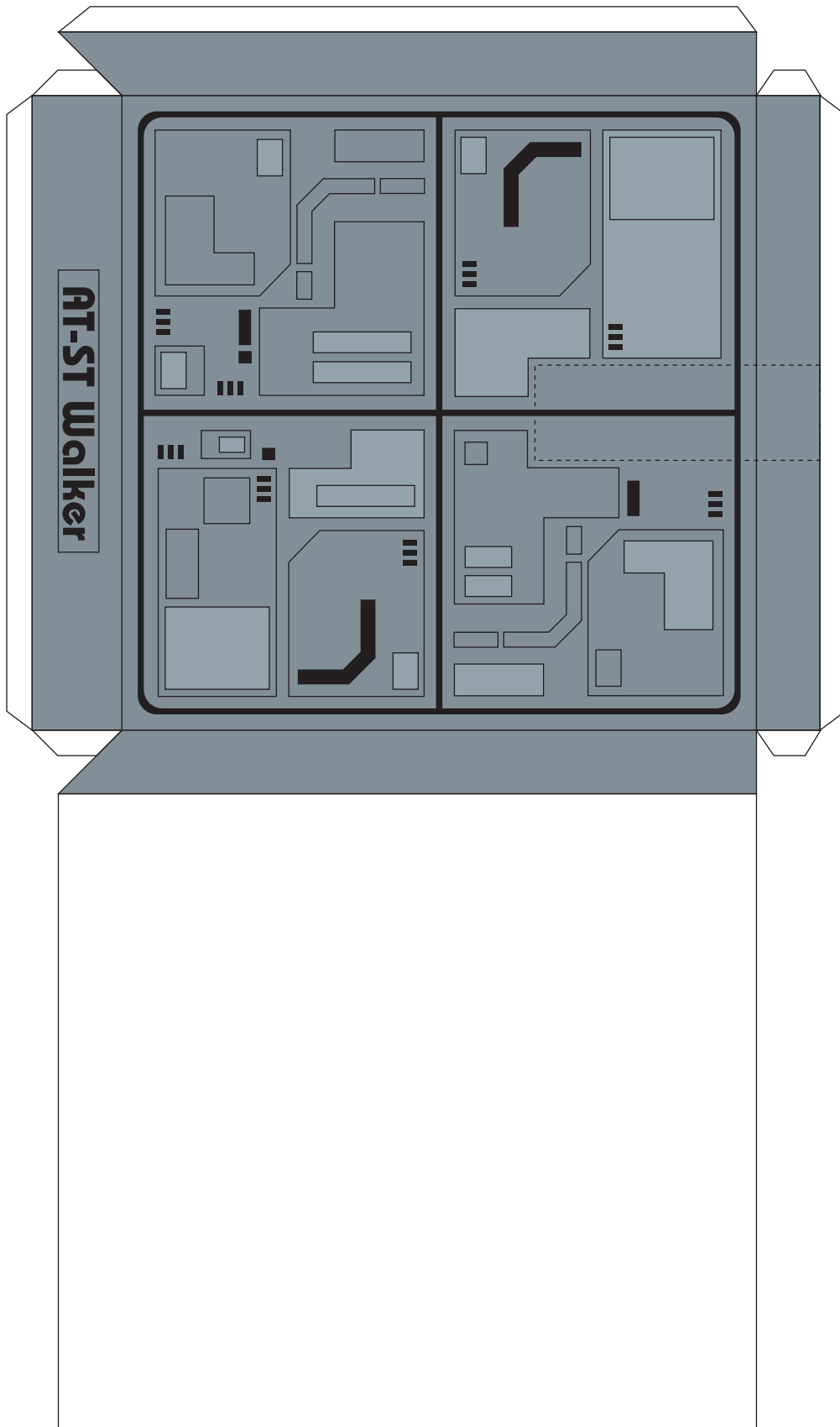


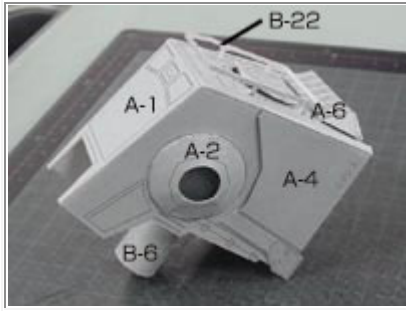
C-17

C-18

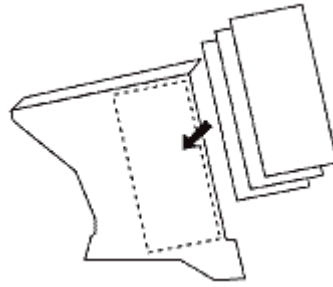




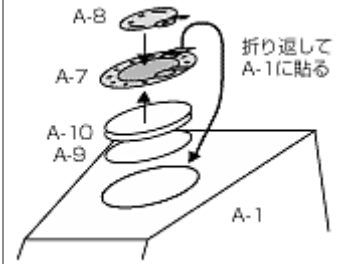




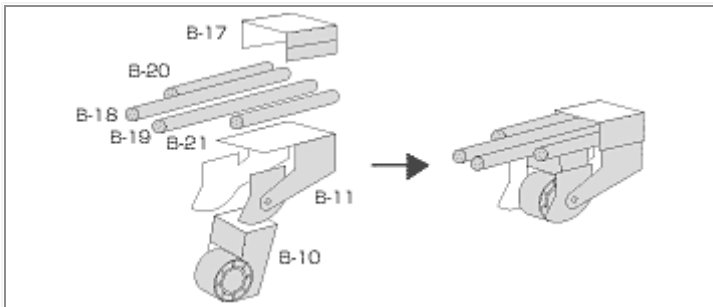
A body is assembled.



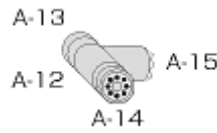
A-11 is separated and it pastes up from the reverse-side side of A-4 and A-5.



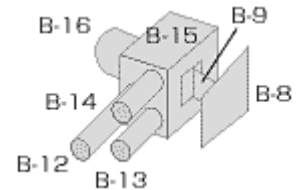
A-7 is folded in two and stuck.
A-8 is stuck on the surface and A-9 is stuck on the back. A hinge is bent and it sticks on A-1.



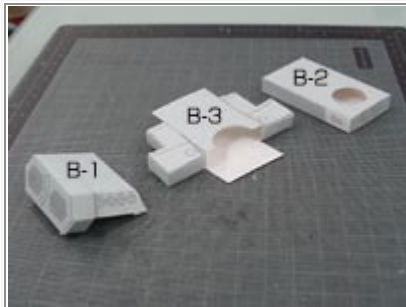
Front part laser gun. An about 3mm tube is used for rounding a gun barrel. Gun barrel parts are rounded using thin things, such as piano wire, a precision driver, and a thin code.



Rightd side



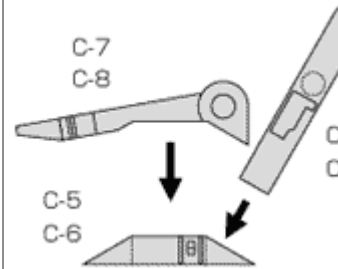
Left side Although a hole is made in B-15, an edge left for applying paste is too large at the mistake of a drawing. Please adjust.



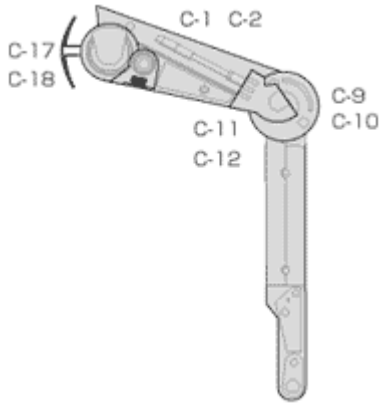
A hip joint part consists of three parts.



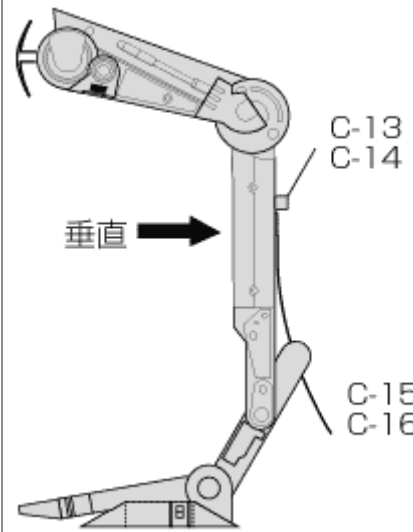
It will become such if three are united. The support B-7 made to unite with a body pastes by carrying out a knot ahead. A body can be rotated if B-6 by the side of a body is inserted.



assembly [of a leg] A



Pasting fixation of the leg of the left figure is carried out at the parts of the above figure. Although the parts of "assembly [of a leg] A" are attached to this, please attach adjusting so that autonomy may be carried out. What is carried out before and after perpendicular is the standard which carries out autonomy.



assembly [of a leg] B

assembly [of a leg] C

assembly [of a leg] D